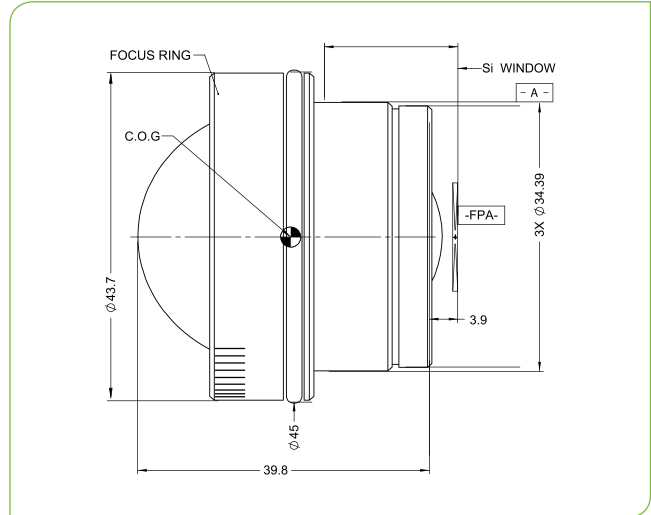


SupIR 2.6mm f/1.4, Fixed Athermalized 680239

TYPICAL ICD*



**HD
FORMAT**



HFOV***	320x240	384x288	640x480	1024x768
17μ	118.9°	143.0°	180°	180°
12μ	83.8°	100.5°	168.8°	180°

Property	Value				
Optical					
Focal Length	2.6mm				
F#	1.4				
Average transmission (8-12μm)	93% (HD)				
Back Focal Length	8.03mm in air				
Mechanical					
Focus Mechanism	Fixed				
Focus Range	0.1m to infinity				
Depth of Field	0.25m to infinity				
Weight	see configurations table below				
Max. Dimensions	see configurations table below				
Environmental					
Operation Temperature	-40°C to +80°C				
Storage Temperature	-50°C to +85°C				
Sealing	IP 67 front element only				
Configurations	Weight (gr)	Dimensions	BWD**	Thread	Coating
680239-001	110	Ø43.7mm x 39.8mm	3.9	1.3125-32 UNS	HD
680239-002					HC
680239-003	89	Ø42.5mm x 35.1mm	9.7	M34x0.5	HD
680239-004					HC

* The ICD drawing provided here is primarily a representation and may not accurately reflect the product's actual dimensions and specifications. For precise integration specifications contact your local sales representative.

** The BWD value is calculated for a unique detector setup with varying sealing windows in terms of thickness and material. For more details, contact your local sales representative.

*** Image circle is Ø8.16mm in diameter